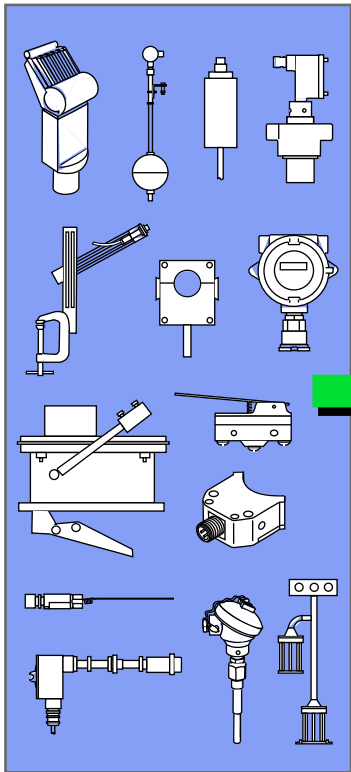
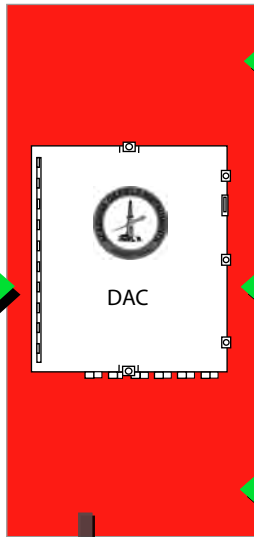


**SENSORS**



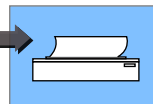
**DATA ACQUISITION CENTER**



**RIG OPERATOR'S and MUD ENGINEER'S WORKSTATIONS**

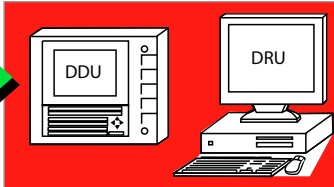


**REMOTE MONITORS (as many as 4 for each RDU)**

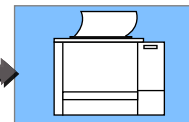


**8-PEN ELECTRONIC RECORDER**

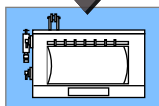
**DRILLER'S WORKSTATIONS**



**CORPORATE HEADQUARTERS**



**PRINTER**



**7-PEN DRILLING RECORDER**